

Other Available Models (No Changes):

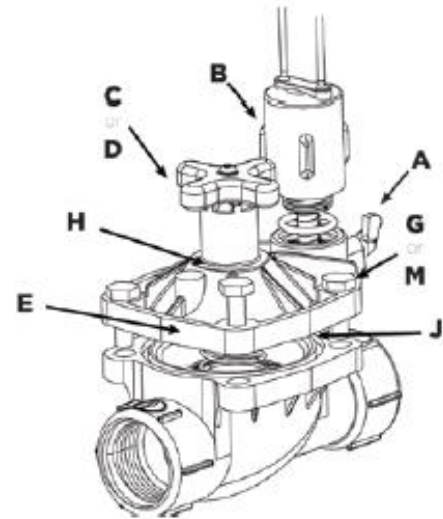
- SB-15F – 1-1/2" 24 VAC (Flow Control)
- SB-20F – 2" 24 VAC (Flow Control)

Note: the newly designed Silver Bullet HP valve body, valve bonnet, and diaphragm are NOT compatible with the "old style" 1-inch Silver Bullet valve.

Some parts for the "old-style" 1-inch Silver Bullet will continue to be available (see below).

SB-10/10F (12000) SERIES COMMON "NEW STYLE" / "OLD STYLE" PARTS

Description	Part Number
A - Bleed Lever Assembly Kit (5 per bag)	45-130R1-1SA
B - Solenoid	S20PSA
C - Standard Handle Assembly	144-010
D - Non-Potable Handle Assem (5 per bag)	45-011NPSA
E - Diaphragm Spring	45-113
Exhaust O-Ring	VMO-001
S20PSA Actuator Assembly only	112-01SA
H - Cover Bolt	VMA-034
Flow Adjust Kit (5 per bag)	110-03SA



SB-10/10F-HP (12000) SERIES "NEW STYLE" PARTS

Description	Part Number
J - 2-3/8" dia. Diaphragm Assembly	110-603SA

SB-10/10F (12000) SERIES "OLD STYLE" PARTS

Description	Part Number
J - 1" dia. Diaphragm	110-003SA

DISCONTINUED SB-10/10F (12000) SERIES "OLD STYLE" PARTS

Description	Part Number
G - 12000 Series Valve Rebuild Kit	12000SAK-10
M - Non-Flow 12000 Valve Rebuild Kit	110-40SAK
1" Cover Assembly Non-Flow	110-20SA
1" Cover Assembly Flow	110-50SA