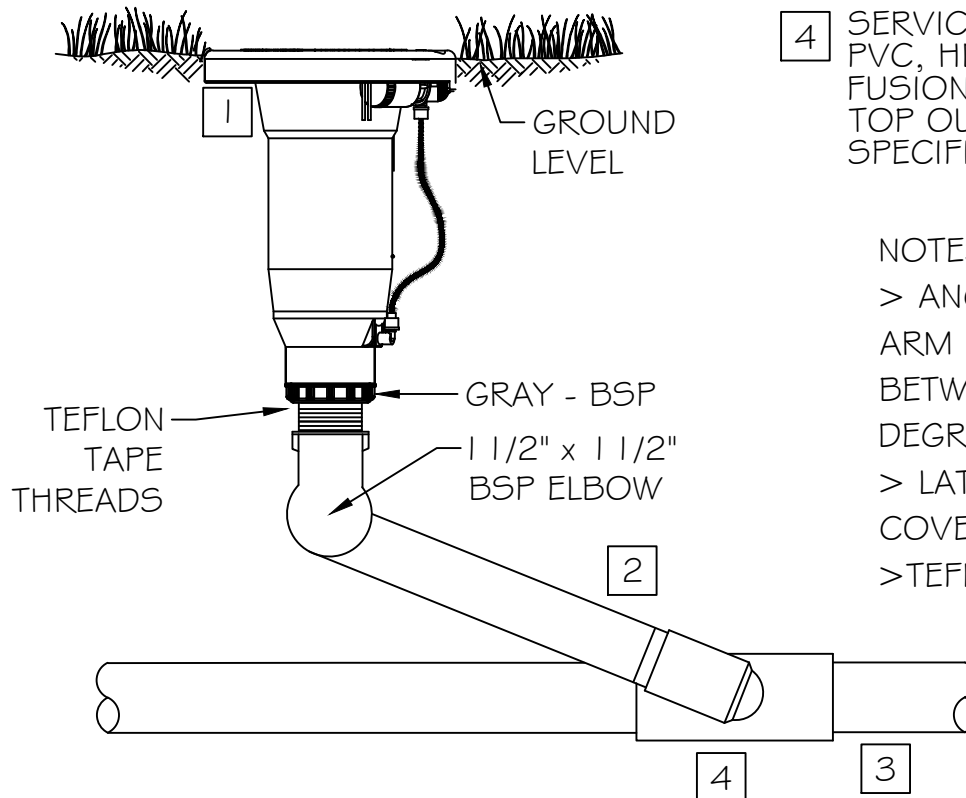


THREAD IDENTIFICATION		
D70/D75	1 1/4"	1 1/2"
NPT - WHITE		✓
BSP - GRAY		✓
ACME - BLACK	✓	



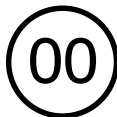
- 1 WEATHERMATIC D70C/75C ROTOR
- 2 1 1/2" X 1 1/2" BSP PRE - FABRICATED SWING JOINT
- 3 LATERAL PIPE
- 4 SERVICE TEE OR END ELBOW - PVC, HDPE SADDLE, OR HDPE FUSION CONNECTION. MAY BE TOP OUTLET. SEE DESIGNER'S SPECIFICATIONS.



NOTES:

- > ANGLE OF SWING JOINT ARM AND LATERAL SHALL BE BETWEEN 30 AND 45 DEGREES
- > LATERAL BURIED AT 18" COVER
- > TEFLON TAPE THREADS

D70C / 75C WITH PVC / HDPE SWING JOINT - BSP



NTS

DETAIL-FILE