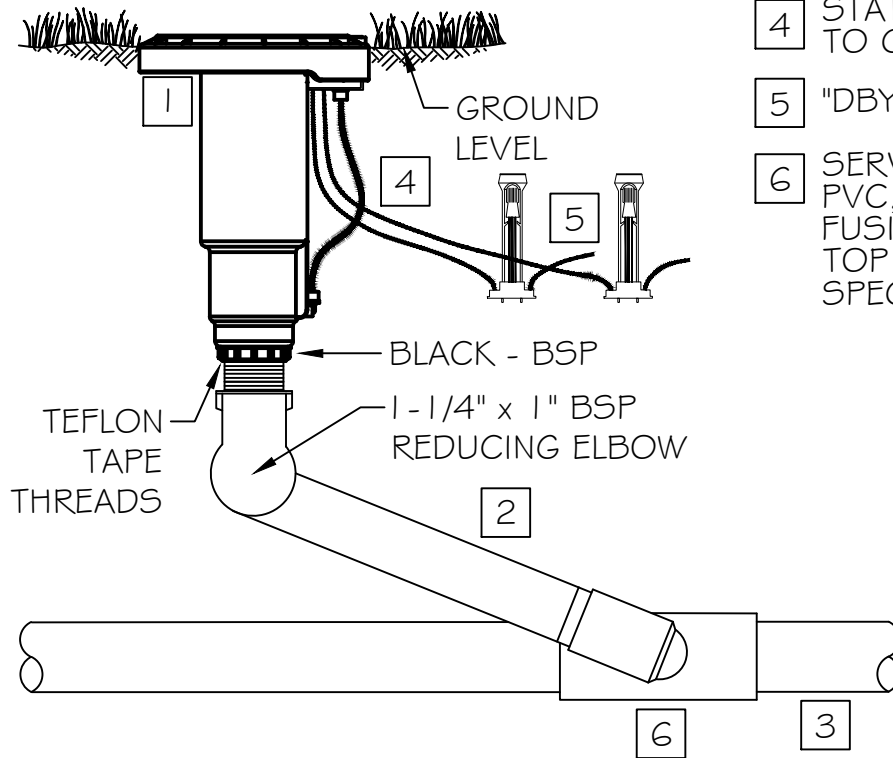


THREAD IDENTIFICATION	
D50/D55	1"
NPT - WHITE	✓
BSP - GRAY	✓
ACME - BLACK	✓



- 1 WEATHERMATIC D50E/55E ROTOR
- 2 1 1/4" X 1" BSP PRE - FABRICATED SWING JOINT
- 3 LATERAL PIPE
- 4 STATION AND COMMON WIRE TO CONTROLLER
- 5 "DBY" WIRE SPLICE
- 6 SERVICE TEE OR END ELBOW - PVC, HDPE SADDLE, OR HDPE FUSION CONNECTION. MAY BE TOP OUTLET. SEE DESIGNER'S SPECIFICATIONS.



NOTES:

- > ANGLE OF SWING JOINT ARM AND LATERAL SHALL BE BETWEEN 30 AND 45 DEGREES
- > LATERAL BURIED AT 18" COVER
- > BURY "DBY" WIRE SPLICE WITH SNAP LIDS UPSIDE DOWN TO PREVENT FILLING WITH DIRT AND WATER
- > TEFLON TAPE ALL THREADS

D50E / 55E WITH PVC / HDPE SWING JOINT - BSP

00

NTS

DETAIL-FILE