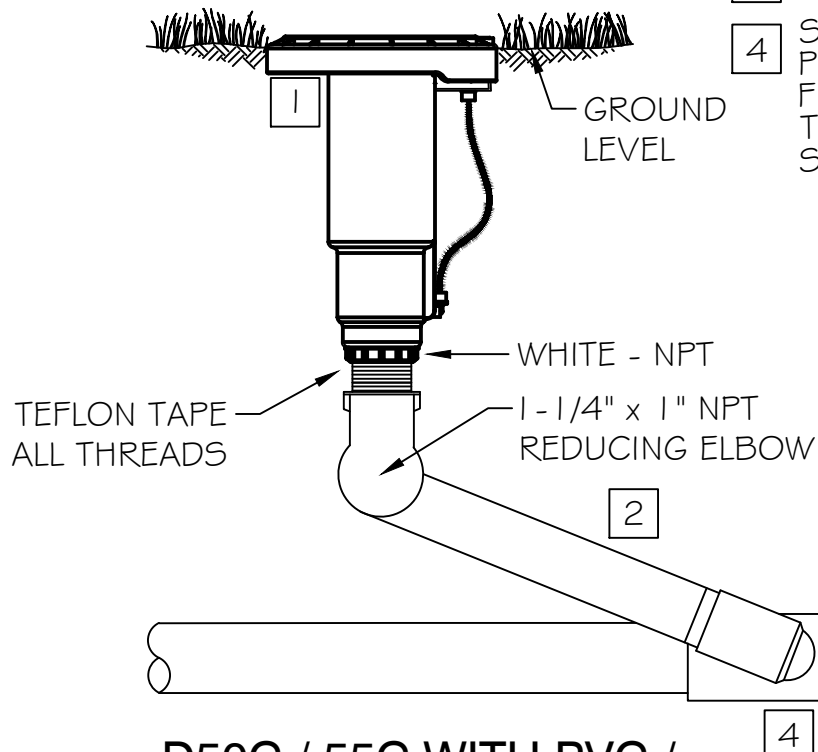


THREAD IDENTIFICATION	
D50/D55	1"
NPT - WHITE	✓
BSP - GRAY	✓
ACME - BLACK	✓



- 1 WEATHERMATIC D50C/55C ROTOR
- 2 1 1/4" X 1" NPT PRE - FABRICATED SWING JOINT
- 3 LATERAL PIPE
- 4 SERVICE TEE OR END ELBOW - PVC, HDPE SADDLE, OR HDPE FUSION CONNECTION. MAY BE TOP OUTLET. SEE DESIGNER'S SPECIFICATIONS.



- NOTES:
- > ANGLE OF SWING JOINT ARM AND LATERAL SHALL BE BETWEEN 30 AND 45 DEGREES
 - > LATERAL BURIED AT 18" COVER
 - > TEFLON TAPE ALL THREADS

D50C / 55C WITH PVC / HDPE SWING JOINT - NPT

00

NTS

DETAIL-FILE