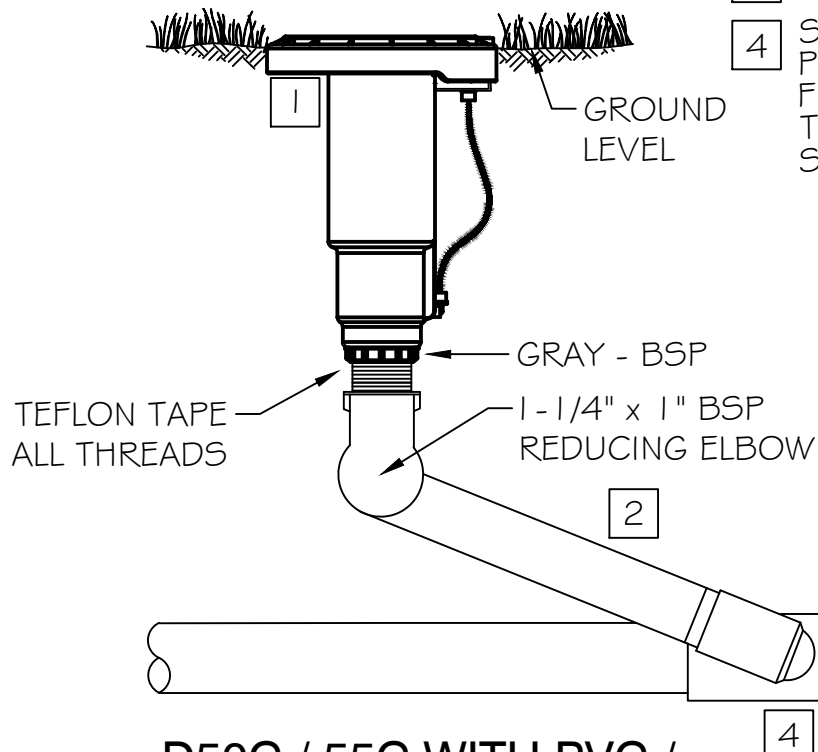


| THREAD IDENTIFICATION | |
|-----------------------|----|
| D50/D55 | 1" |
| NPT - WHITE | ✓ |
| BSP - GRAY | ✓ |
| ACME - BLACK | ✓ |



- 1 WEATHERMATIC D50C/55C ROTOR
- 2 1 1/4" X 1" BSP PRE - FABRICATED SWING JOINT
- 3 LATERAL PIPE
- 4 SERVICE TEE OR END ELBOW - PVC, HDPE SADDLE, OR HDPE FUSION CONNECTION. MAY BE TOP OUTLET. SEE DESIGNER'S SPECIFICATIONS.



NOTES:

- > ANGLE OF SWING JOINT ARM AND LATERAL SHALL BE BETWEEN 30 AND 45 DEGREES
- > LATERAL BURIED AT 18" COVER
- > TEFLON TAPE ALL THREADS

D50C / 55C WITH PVC / HDPE SWING JOINT - BSP

00

NTS

DETAIL-FILE