

## Technical Specifications

# CT70 ROTARY SPRINKLER

### FEATURES (LISTED TOP TO BOTTOM OF ROTOR)

- 5 year warranty and 100% water tested
- Thick, vandal resistant rubber cover is standard; visible arrows indicate + or - arc adjustment
- Radius adjustment screw decreases radius up to 25%
- “Punch-thru” cover to protect nozzle retaining screw from debris
- Easy grip threaded cover
- 5 field changeable nozzles
- Safety clutch for vandal protection; ratchets like a spray head
- Part circle models adjust from 40° to 360°; no tools required
- Expanded “arc dwell” on part circle models provides full coverage along borders
- Pressure activated wiper seal and strong stainless steel spring on pop-up models to ensure positive retraction
- High-tech micro filter protects reversing mechanism
- Streamlined large flow tube to minimize pressure loss through sprinkler
- Impeller flow regulator automatically matches flow to nozzle selection
- Smooth impeller gear drive for highly uniform watering
- Large area, basket type, removable strainer for debris protection
- Standard “Ready Check™ Valve” on T3 and T3-36 models is easily reversed in the field to a “check” position. Valve holds back 15 feet (4,6 m/hd) of elevated water

### CONSTRUCTION

- High strength non-corrosive plastics and metals used throughout sprinkler
- Sealed, lubricant packed drive housing provides long life performance

### OPTIONS (FACTORY INSTALLED)

- Non-potable cover (add “N” suffix)
- Vandal cover lock (add “XV” prefix)

### ACCESSORIES

- T3ST Nozzle install collar

### DIMENSIONS

- Height (closed): 8 13/16 in. (22,4 cm)
- Pop-up Height: 4 in. (10,2 cm)
- Inlet: 1 in. IPS (specify ISO for international)
- Exposed Top Diameter: 1 3/4 in. (4,4 cm)



CT70SS

CT70

### MODEL SPECIFICATIONS

|           |                                |
|-----------|--------------------------------|
| CT70      | Adjustable arc                 |
| CT70-36   | Full circle                    |
| CT70SS    | Stainless steel adjustable arc |
| CT70SS-36 | Stainless steel full circle    |

*International Threads: Add ISO suffix*

## Technical Specifications

# CT70 ROTARY SPRINKLER

**ROTARY SPRINKLER HEAD(S)** shall be the CT70 (Options: -N and/or -CV) as manufactured by Weathermatic Sprinkler Division of Telsco Industries, or approved equal. Sprinkler shall be a 4" pop-up type with positive gear drive for full-circle and part-circle coverage and 1" NPT riser connection (optional ISO).

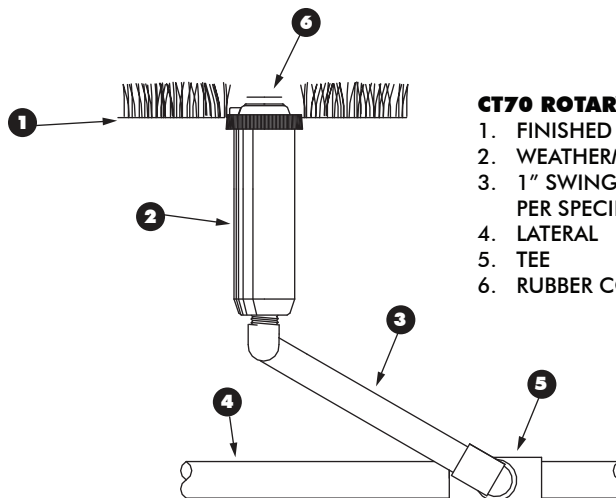
**CONSTRUCTION:** Head shall be made of high-strength, non-corrosive plastics and metals to ensure long-life performance. The sprinkler head shall have a sealed, lubricant-packed drive housing to assure long-life performance.

Sprinkler head shall have a threaded screw-on cover and include a (Option: A Non-potable Alert) rubber cover. Sprinkler head shall utilize a double lip pressure activated wiper seal in conjunction with a stainless steel spring to assure positive head retraction. A slip clutch shall be included to protect gear train from damage. Reversing mechanism shall utilize an independent filtration system to prevent stalling. A check valve shall be provided to prevent low

head drainage. Arc degree settings shall be clearly marked on adjustment ring to permit ease of adjustment.

**OPERATION:** The arc adjustment ring on nozzle flow tube shall permit quick adjustment of arc size from 40 degrees to 360 degrees without the use of tools or the removal of the inner assembly. A set of field changeable nozzles with a flow range of 8.1 to 28.0 GPM and a radius range of 49 to 74 feet, shall be provided with each sprinkler to adapt performance to site conditions. The sprinkler shall have an automatic adjusting stator to correctly match the flow required at the impeller with the nozzle selected and to regulate speed of rotation. Sprinkler shall momentarily dwell at the end of both arcs to provide uniform precipitation to border areas. Sprinkler head shall accept the vandal cover lock (XVT3) to lock cover to body.

**WARRANTY:** The rotary sprinkler head shall have a manufacturer's limited warranty of not less than five(5) years.



### CT70 ROTARY SPRINKLER

1. FINISHED GRADE
2. WEATHERMATIC CT70 ROTARY SPRINKLER
3. 1" SWING JOINT ASSEMBLY AS PER SPECIFICATIONS
4. LATERAL
5. TEE
6. RUBBER COVER